

**NIMS Measurement, Materials, & Safety
Exam Update Webinar
April 8, 2020**

The webinar will begin soon.

**Only webinar hosts can speak, so you should
not expect to hear others speaking.**



Questions?

1. Open the Q&A button found at the bottom of the Zoom Meeting screen.
2. Type your question in the Q&A box that will pop up and click send.

All questions will be answered at the end of the presentation, but you can ask them as we go.

Use the Chat function for any technical issues with the webinar (sound, visuals).

This webinar will be recorded and distributed to registered participants.

Measurement, Materials, & Safety (MMS) Updated Exam

Informational Webinar

April 8, 2020



Goals For Webinar

- ▲ Address updates/improvements to the test
- ▲ Talk about exam objectives
- ▲ Highlight training resources
- ▲ Q&A about content covered

Why Update the MMS Exam?

1. Most sought-after NIMS credential.
2. Foundational and stackable credential creates a clear credentialing path.
3. Validates basic understanding and fosters accountability.
4. Useful skill validation tool.
5. Accessible prerequisite to higher level credentialing and manufacturing training.

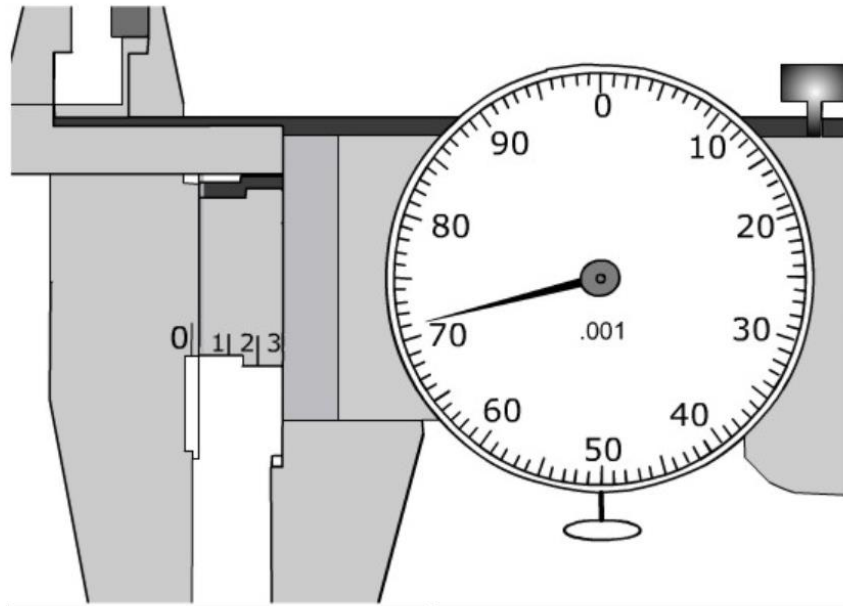
Recent Improvements

- ▲ Removed questions outside the MMS scope.
- ▲ Updated formatting to all applicable questions.
- ▲ Added relevant questions (all still within the realm of the MMS scope).
- ▲ Implemented a higher passing score to reflect the skills needed to perform MMS-related work.
- ▲ Updated and shared new digital MMS practice test.

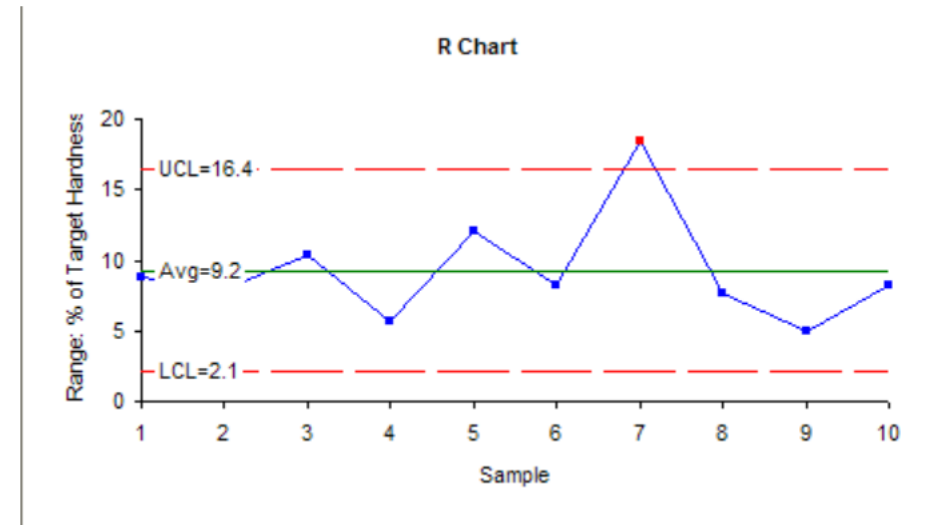
MMS Practice Test Samples

Read the dial caliper below to the nearest one thousandth of an inch. Write it in the format below:

1.234



The R chart below shows we are making consistent parts:



- | | |
|---|-------|
| A | False |
| B | True |

MMS Practice Test Samples

SAE 1050 steel has what percentage of carbon content:

A	5%
B	.05%
C	.50%
D	50%

A negative consequence of hardening metal is that it becomes:

A	Tough
B	Fragile
C	Un-cuttable
D	Brittle

Resources

MMS Study Resources

- ▲ [Online Sample Test](#) in NIMS Testing Center as candidate
- ▲ [Precision Machining Technology](#) from Cengage Learning
- ▲ [Online Course Catalog](#) from ToolingU
- ▲ [Learning Resources](#) from Haas Automation, Inc.
- ▲ [MMS Credential Translation](#) from NIMS

Home My Credentials **Take Test** Test Results Performance Affidavits Purchase

Take Test

Below are all tests that are available for you to take. Please note that to begin at all times.

If you do not see the test that are supposed to take, make sure that it has been assigned a proctor for that test. After verifying that both of those items have been assigned, you should **contact NIMS** for more assistance.

Sample Test

If you would like to try a sample test **click here**.

System Requirements for NIMS Testing



Q&A



Questions?

1. Open the Q&A button found at the bottom of the Zoom Meeting screen.
2. Type your question in the Q&A box that will pop up and click send.

Use the Chat function for any technical issues with the webinar (sound, visuals).



Stay In The Loop

Join our [mailing list](#) to get notified about future webinars and other information



Contact Us

support@nims-skills.org | (703) 352-4971